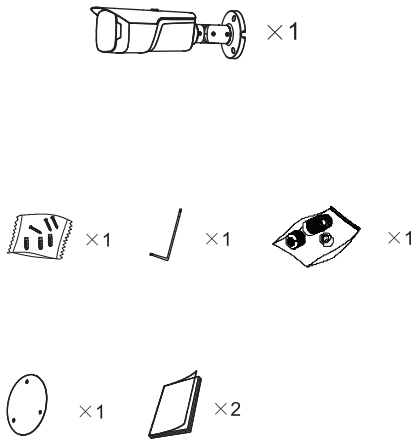


Bullet Network Camera

Installation Guide

V1.0.0



1

1.1

T10
0.6 N·m

1.2

2

2.1

①

Ø 5 mm

2

②

3

③

PH2
0.6 N·m

T10
0.6 N·m

4

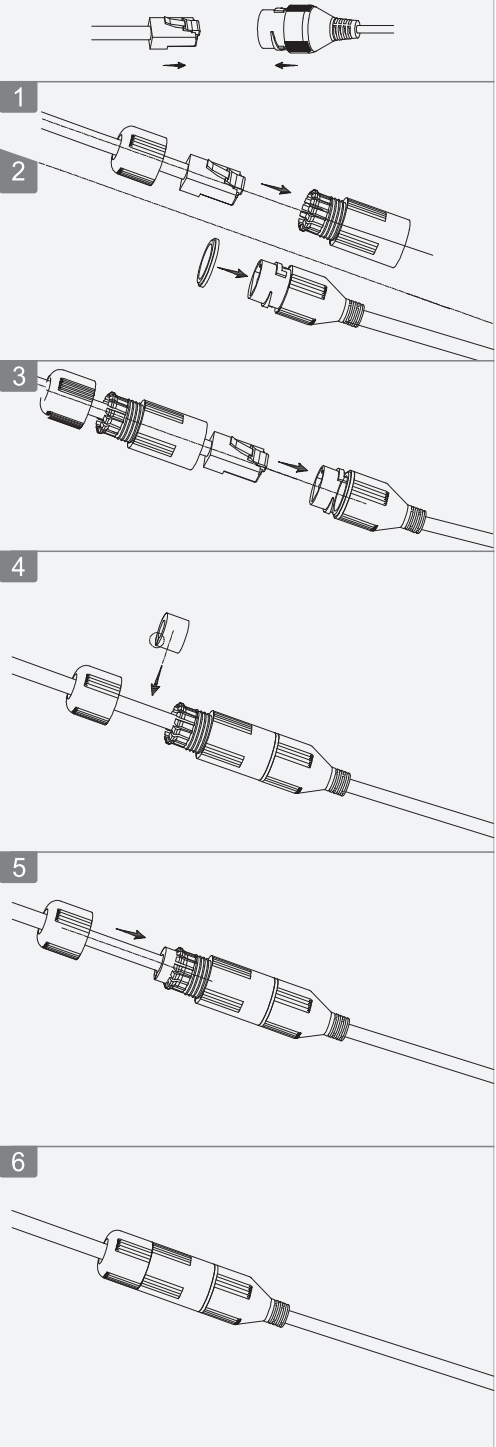
2.2

1

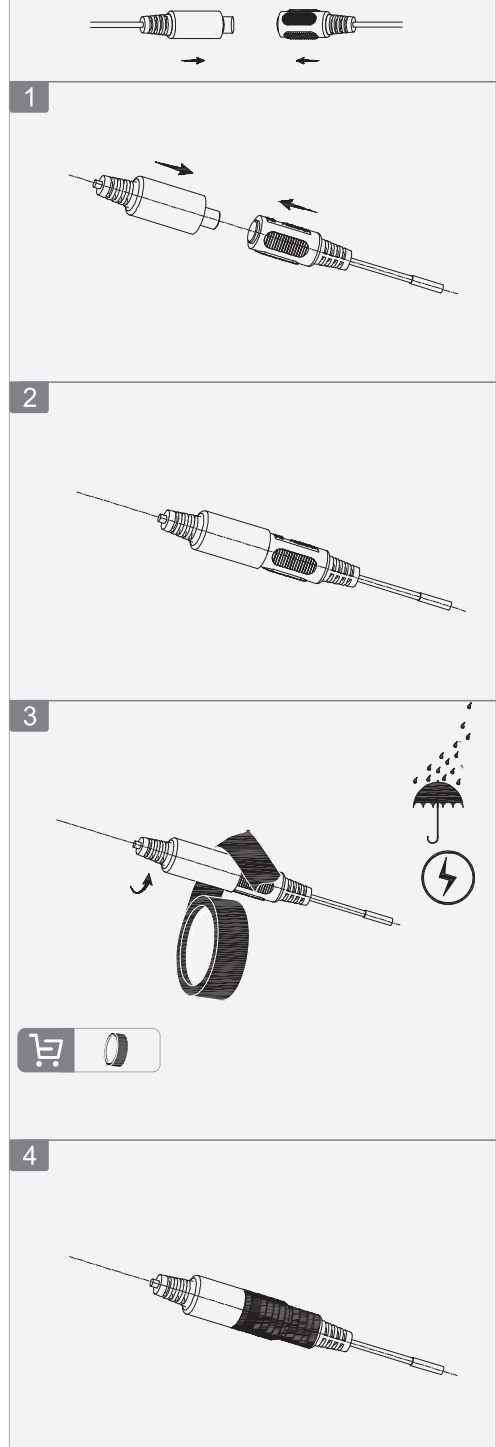
2

3


A Optional

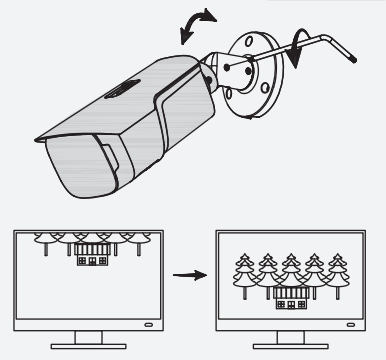


B

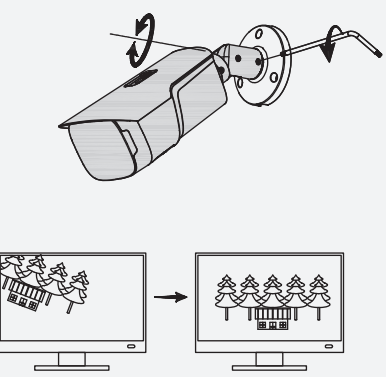


3

3.1 T10  0.6 N·m



3.2



3.3

